

NB01R588-M (ORDER NO. 088583)

Single hole fixing limit switch NB01, roller plunger

- ▶ With roller plunger, steel roller \varnothing 5 mm
- ▶ Cable entry M12 x 1.5



Description

Approach direction



Figure

Horizontal

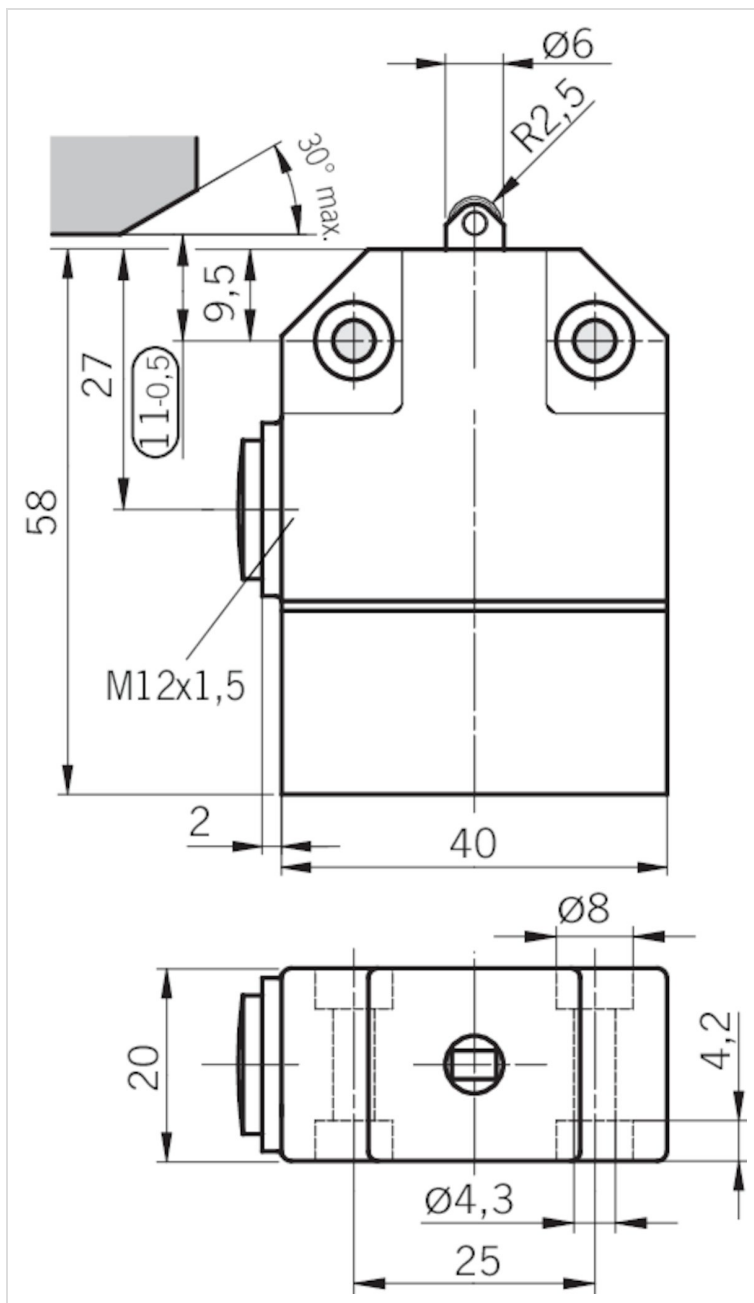
Can be adjusted in 90° steps

⚠ To achieve the positively driven travel, the dimension $(11-0.5)$ must be maintained by the trip dog. Actuating elements such as dog approach guides must be firmly mounted in accordance with EN ISO 14119, i.e. riveted, welded or otherwise secured against becoming loose.

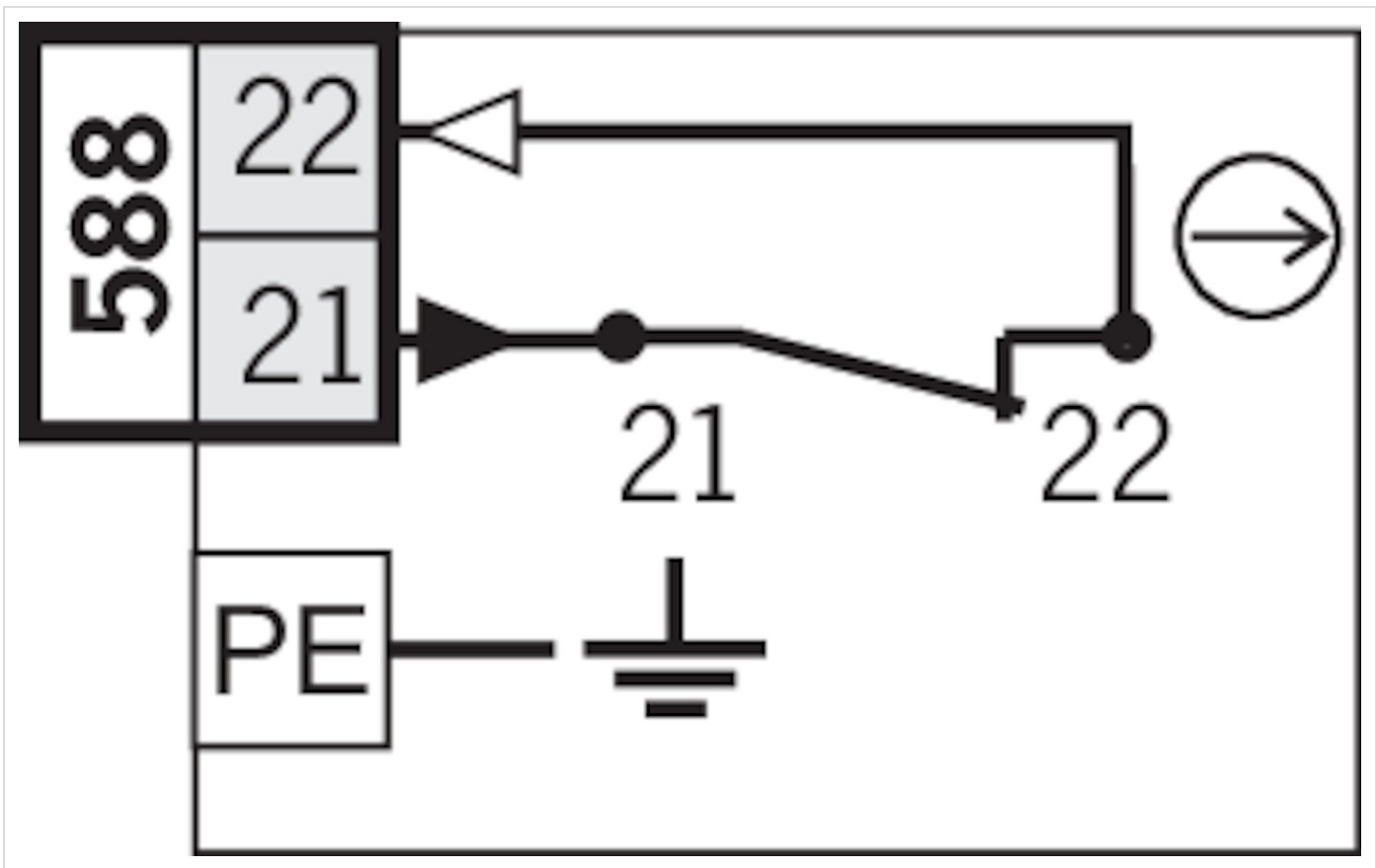
Switching element

588 Slow-action switching contact 1 NC \rightarrow

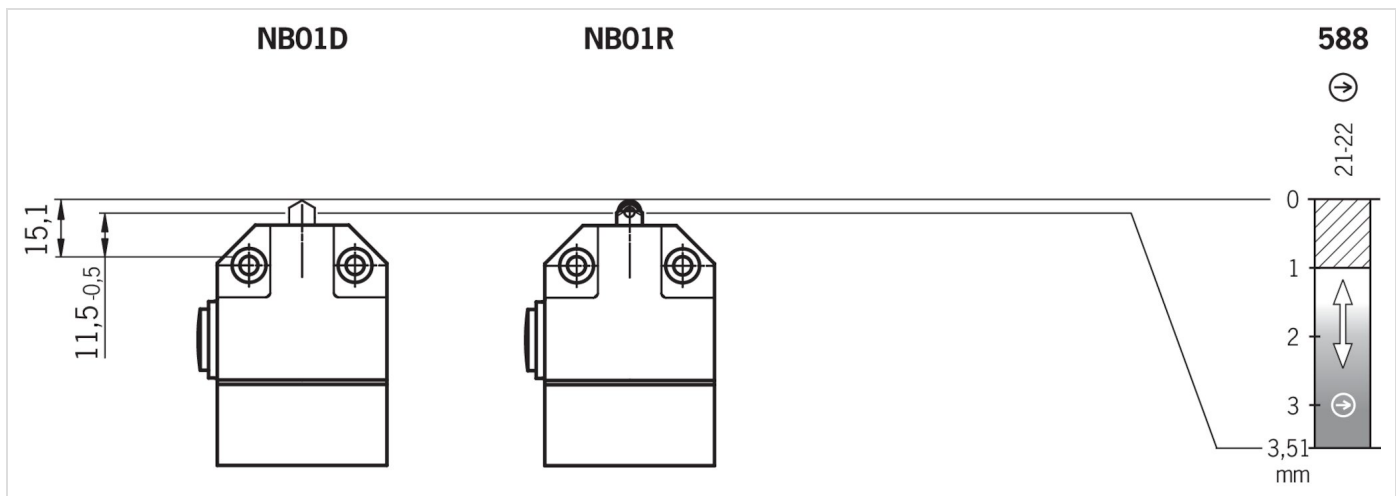
Dimension drawing






588



Travel diagram



-  Contacts closed
-  Contacts open
-  Contacts positively driven

Technical data

Mechanical values and environment

Housing material	Housing	Anodized die-cast alloy
Weight	Net	0,1 kg
Ambient temperature		-25 ... 70 °C
Degree of protection		IP67
Mechanical life		10 x 10 ⁶
Contact material		Silver alloy, gold flashed
Switching principle		Slow-action switching contact
Installation orientation		Any
Number of door position positively driven contacts		1
Connection		1 x M12 x 1.5
Approach speed		0,01 ... 50 m/min
Actuating element	Plain bearing metal	Roller plunger (D roller = 5 mm)
Actuating force		15 ... 20 N

Electrical connection ratings

Thermal rated current I _{th}		10 A
Utilization category acc. to EN 60947-5-1	AC-15	4A 230V
	DC-13	3A 24V
Short circuit protection according to IEC 60269-1		10A gG
Rated insulation voltage U _i		250 V
Rated impulse withstand voltage U _{imp}		2,5 kV
Switching current	Min. at DC 5V	1 mA
Connection cross-section		max.1,5 mm ² (Screw terminal)

Other

Additional feature		With low temperature grease
--------------------	--	-----------------------------

Reliability values according to EN ISO 13849-1

B10 _D		20 x 10 ⁶
------------------	--	----------------------

Accessories

Connection material

Cable glands M12x1.5



086327
EKVM12/04

Contacts

🏠 EUCHNER GmbH + Co. KG
Kohlhammerstraße 16
70771 Leinfelden-Echterdingen

☎ +49 711 7597-0

📠 +49 711 753316

✉ [info\(at\)euchner.de](mailto:info(at)euchner.de)